



11000 GAUS MAGNETIC FILTER SPECIFICATIONS

Ref. 5392034110



Instructions before use

Dear users, thank you very much to choosing the PARETA's magnetic filter

User manual

This manual describes the product features and installation operations in detail. Please read all parts of this manual carefully before use.

The right to make changes to existing version is reserved without prior notice

Preliminary inspection



After receiving the product, open the package and check whether the appearance of the package is damaged. The information on the product identification plate matches the model you selected. If there is any inconsistency or uncertainty in the appearance, specifications, etc..., please contact the supplier immediately to explain the cause of the defect. Do not use if there is any doubt about the installation of the product.

Warning

The magnetic filter has a strong magnet bar with a strong magnetic field effect. Always pay attention during installation and maintenance. Do not place the filter and its core next to any electronic device, to avoid damages. Also do not place the filter and its core nearby to devices which could be affected or damaged for the generated magnetic field.

Product Usage

PARETA magnetic decontamination devices are generally used in heating systems, cooling water systems and air conditioning systems.

Since the pipe is prone to oxidation, this fact leads to the formation of magnetic impurities. Excessive accumulation of these magnetic impurities in the pipe will affect the working efficiency of the boiler,

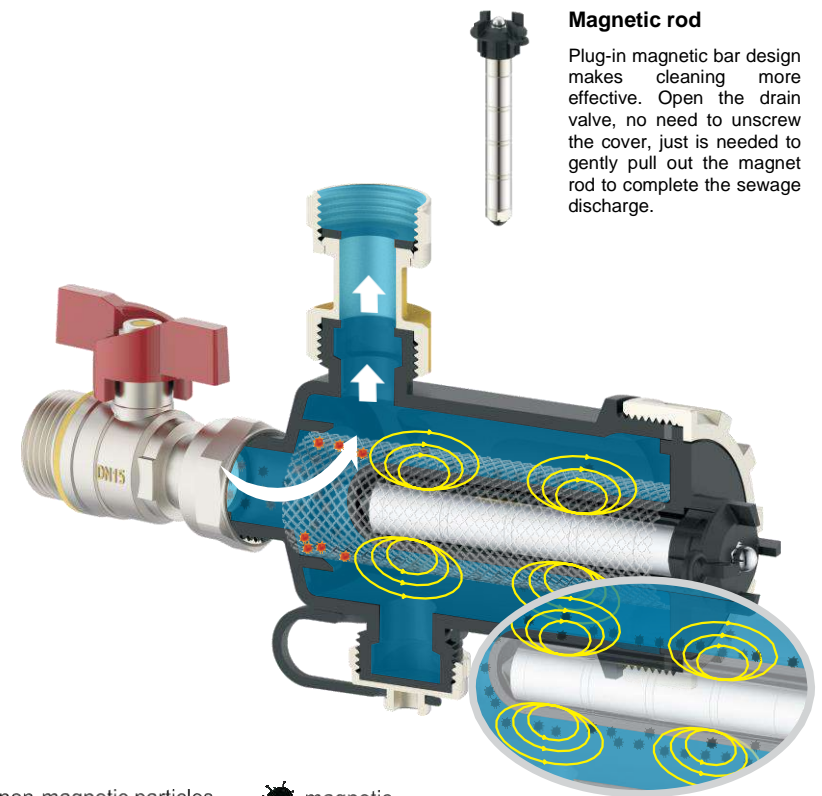
working principle

Working principle of this magnetic decontamination device: Dual filtration function: it can not only adsorb magnetic impurities, but also filter non-magnetic particle impurities

1. A magnetic rod with a power of 11000 Gauss is installed in the center of the decontamination device. When the water flow enters inside of the decontamination device, the magnetic impurities in it will be adsorbed by the magnet and will no longer circulate.


2. The decontamination device is equipped with a particulate filter. When the liquid flow enters inside decontamination device, the filtered particles float to the top to form a layer. Non-magnetic particles are blocked. When the decontamination valve is opened, the impurities fall to the bottom along with the particles and are carried away by the water flow, thus cleaning the entire device.

Schematic diagram of product working principle



Magnetic rod

Plug-in magnetic bar design makes cleaning more effective. Open the drain valve, no need to unscrew the cover, just is needed to gently pull out the magnet rod to complete the sewage discharge.

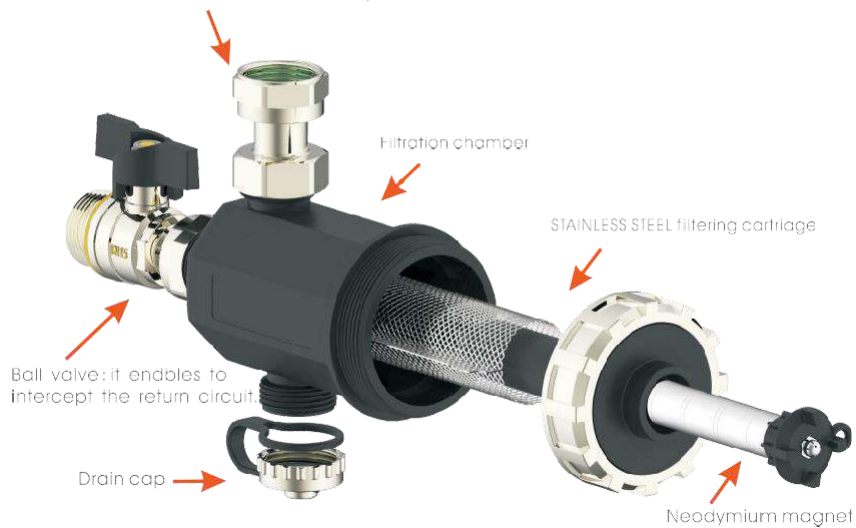
 non-magnetic particles

 magnetic

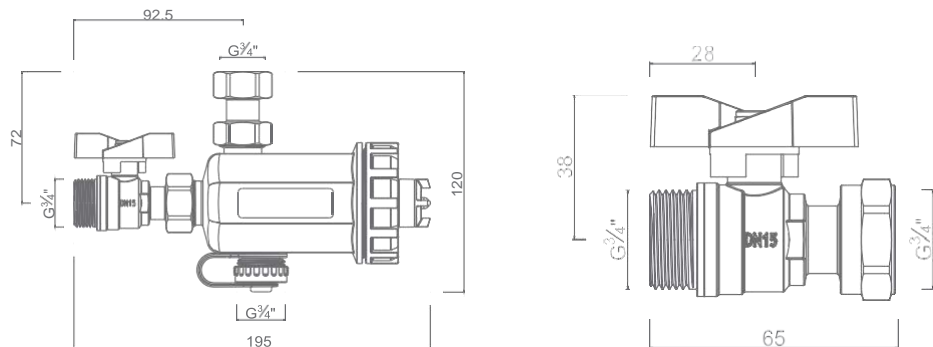
Product List

After unpacking, check all parts according to the following list.

Swivel connection: it enables to easily connect the filter to connection G3/4" M of the boiler

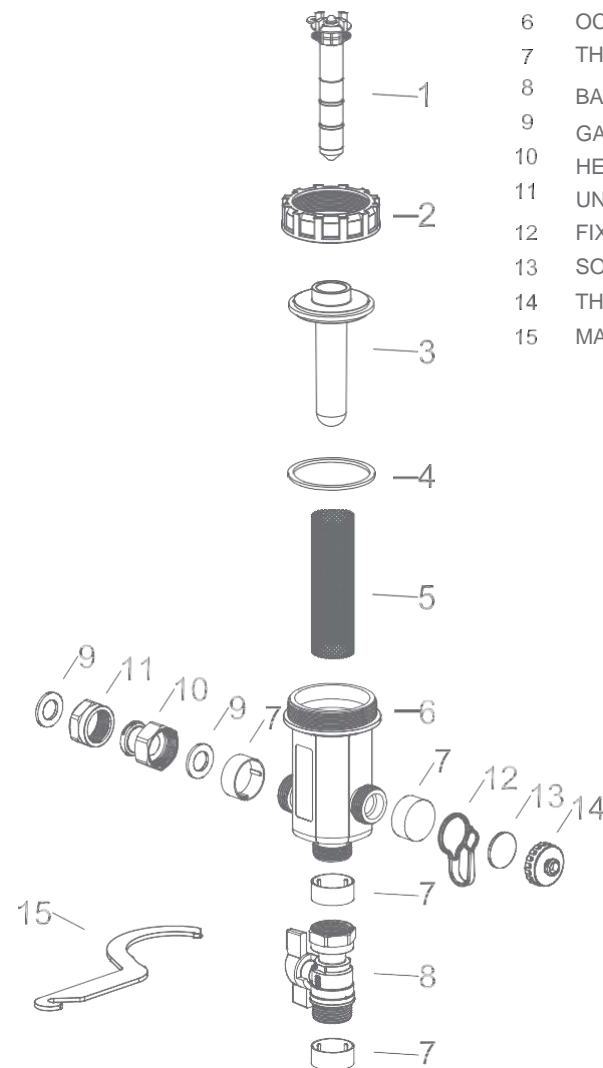


Product Size



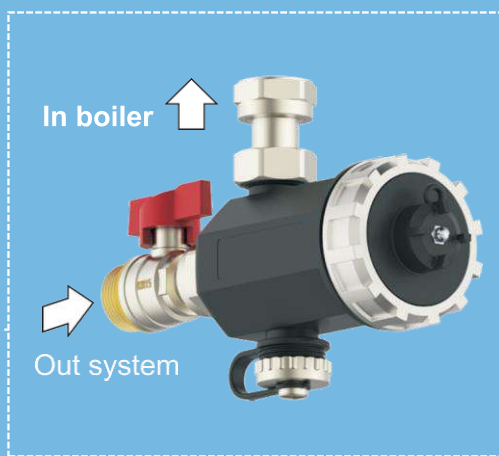
Product BOM

NO	DESCRIPTION
1	MAGNET ROD
2	NUT
3	PLASTIC MAGNET SHEATH
4	GASKET
5	STRAINER
6	OCTAGONAL BODY
7	THREAD PROTECTOR
8	BALL VALVE
9	GASKET
10	HEXAGONAL NUTS
11	UNION CAP
12	FIXED PLASTIC TAPE
13	SOLID GASKET
14	THREADED CAP
15	MAINTENANCE TOOL





Installation plan 1:
Application of with the main
cartridge/filter body facing the front.



Installation plan 1:
Application of with the main
cartridge/filter body facing the front.

