

## BAYONET TAP CONNECTOR

### PURPOSE

The main purpose of this product is to connect a gas meter to the receiving installation. The main peculiarity is the eccentricity between its axes. For this reason, any meter can be connected to the installation, regardless of the distances between the two centres.

### APPLICATIONS

The most common applications are natural gas and LPG.

### TOLERANCES

According to UNE-60719. Threads according to ISO-228.

### MATERIALS

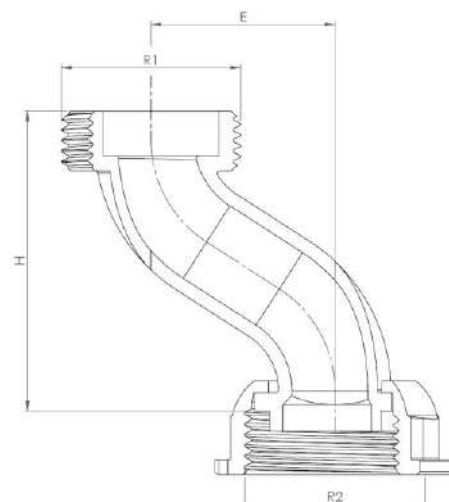
Brass according to EN-1982, EN-12164 and EN-12165

### AVAILABLE MEASURES



CODE	R1	R2	E	H
5800481100	7/8" male	7/8" female	31,0	50,5
5800481200	1"1/4 male	7/8" female	46,0	58,0

points "E" and "H" in mm



### ASSEMBLY INSTRUCTIONS

Make sure there is no leakage in any of the connecting parts of this accessory with the pipe and the connected element or equipment.

Check that all the connection is free of tensions, traction, twisting, flexion, compression, or shear. In case of installations that can suffer vibrations, be sure to incorporate the elements so that these vibrations are not transmitted to the pipe or any device or accessories. If the installation can suffer contractions and expansions, please incorporate the elements so that these are compensated.

Choose the optimum size of tap connector according to the installation pipe and its flow rate.

Use the types of sealing materials indicated by the standards required for each application.

In case of any doubt or special application, please contact our technical department.