

DIFFERENTIAL PRESSURE SWITCH LF-32 (6321000000)

CHARACTERISTICS

- 2-point outputs: to ON and OFF simultaneously ON (1-3) y OFF (2-3).
- Internal adjustment regulator in mbar
- Long-term stability of the measuring element
- Professional and practical product design, resistant to environmental conditions
- Easy to use, install and maintain

PRESSURE RANGE

- From 0,3 to 3 mbar

DIFFERENTIAL

- 0,1 MBAR

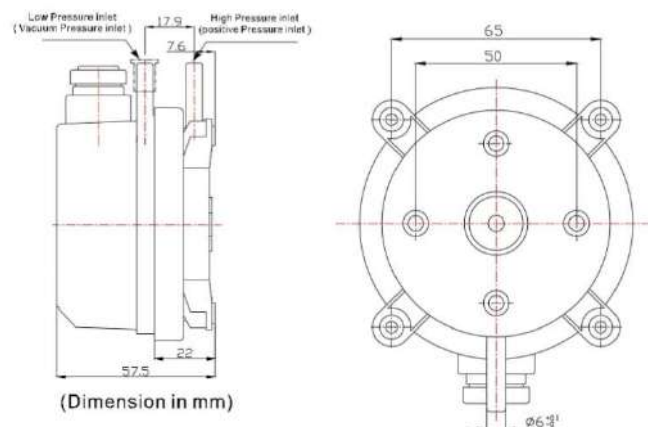
CONNECTION



POSITION OF CONTACTS IN REST:

Terminal 1 normally closed contact
 Terminal 2 normally open contact
 Terminal 3 common contact

DESIGN



SECURITY ADVICE

The installation and assembly of electrical equipment can only be carried out by a qualified electrician. The products must not be used in relation to equipment that supports, directly or indirectly, human health, life or applications that may be dangerous for people, animals or real value.

ASSEMBLY ADVICE

The products are suitable to be mounted on walls or air ducts. Each product is calibrated individually. The product must be mounted vertically (diaphragm in vertical position).

START-UP NOTES

Check carefully that no electrical power is applied to the product before removing the housing cover. For the electrical connections and the selection of set point, remove the housing cover by opening the 2 screws located in the housing cover.

The information contained in this sheet is not intended to be exhaustive. We can not be held responsible for the use of the product for an application other than the one specifically recommended, without previously obtaining written confirmation from us. By no having control over the quality or conditions of the substrate or other factors that affect the use or application of the product, we accept no responsibility for the misbehavior of the product unless we agree in writing.

Please inspect and test our products before use or commissioning in order to confirm the characteristics and their suitability. Nothing in this information constitutes a warranty, express or implied. The data in this technical sheet are subject to change based on our experience and our policy of continuous product development.