

OLLETA FLOAT VALVE for high tank with anticorrosive seat

PRODUCT PURPOSE

This product has as main objective the proportional cutting of the fluid as a function of the tank or cistern filling level where it is installed.

APPLICATIONS

The most common applications are: plumbing in general, water reservoirs for irrigation, tanks, cisterns, fire installations, sanitary water, and similar applications. For any application other than those indicated, please consult our technical department.

LEAK-TIGHTNESS SYSTEM

Unlike other products on the market, the floats of the brand PARETA are provided with two vital aspects to achieve high quality in their leak-tightness system: 1-Sealing between the thread of the body and the thread of the flange; 2- Sealing by flat seat between the body and the flange by means of sealant. The anticorrosive material provides longer life due to erosion caused by water in its path.

INSTALLATION

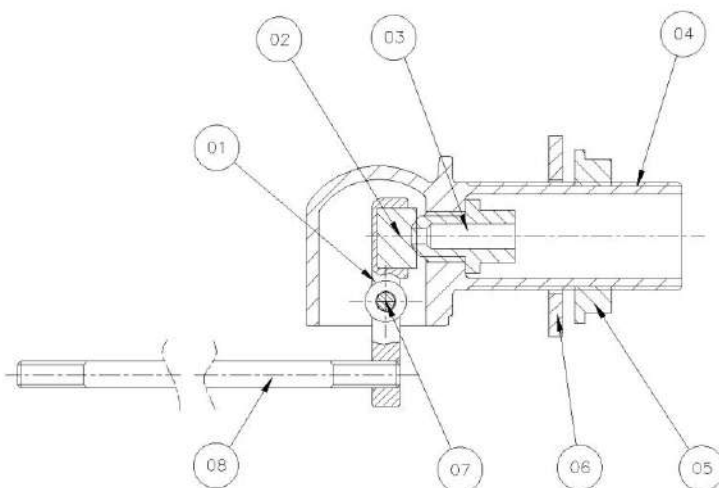
For correct operation, water or fluids must be free of lime and solid particles that may obstruct or damage the leak-tight parts of the floating valve.

The maximum pressures indicated in the table on the following page are theoretical and guiding and are calculated on the basis of a constant pressure. It is advisable to always work below 70% of the indicated maximum pressure.

Also, it is recommended that a pressure regulating valve be inserted *upstream* of the floating valve, thus ensuring that it always works at a stable and concrete pressure, which is absent from water hammer. Take the necessary precautions to prevent waves from forming inside the tank or cistern.

It is advisable to install a filter at the inlet of the pressure regulating valve.

The tank or cistern where the floating valve is installed must necessarily have an overflow to prevent flooding in case of any occurrence.



Nº	COMPONENT	MATERIAL	QUANTITY
08	Threaded tickler	Brass	1
07	Cotter pin	Brass	1
06	Washer	L.D.P.E.	1
05	Endless nut	Brass	1
04	Body	Brass	1
03	Flange	Nylon	1
02	Gasket rubber	E.P.D.M.	1
01	Crowbar	Brass	1

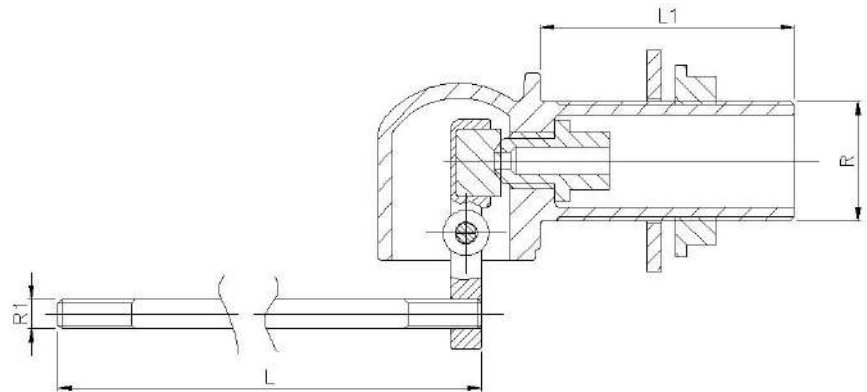
The brass of all the components complies with the Standards UNE-EN 12164, UNE-EN 12165 o UNE-EN 1982

Maximum Working Temperature: 80°C.

In order to extend the life of the floating valve, it's recommended that the constant working temperature is below of 50°C

OLLETA FLOAT VALVE for high tank with anticorrosive seat

OLLETA Float Valve for high tanks with anticorrosive seat					
Product Reference	Thread R	Thread R1	L mm	L1 mm	Maximum Pressure
5500900100	3/8"	3/16	220±3,5	34,5±0,5	8,00 bar
5500901100	1/2"	3/16	220±3,5	36,5±0,5	8,00 bar
5500902100	1/2"	6/100	200±3,5	36,5±0,5	8,00 bar



The information contained in this sheet is not intended to be exhaustive. We can't be held responsible for the use of the product for an application other than the one specifically recommended, without obtaining previous written confirmation from us. By not having control over the quality or conditions of the substrate or other factors that affect the use or application of product, we don't accept any responsibility on the misbehaviour of the product unless we previously agree it in writing.

Please inspect and test our products before use or in order to confirm the characteristics and suitability. Nothing in this information constitutes a warranty, express or implied. The data in this data sheet are subject to change depending on our experience and our policy of continuous product development.